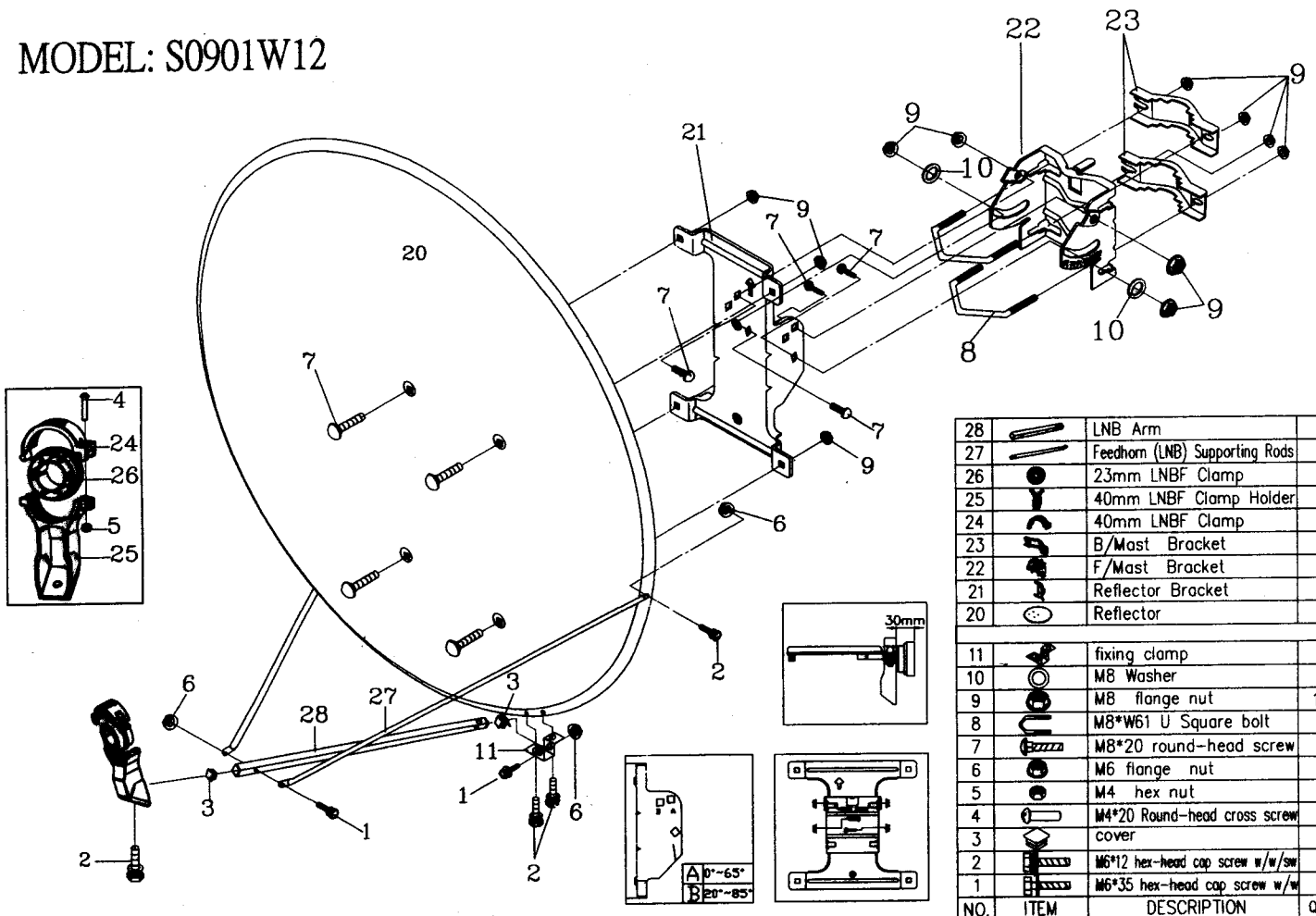
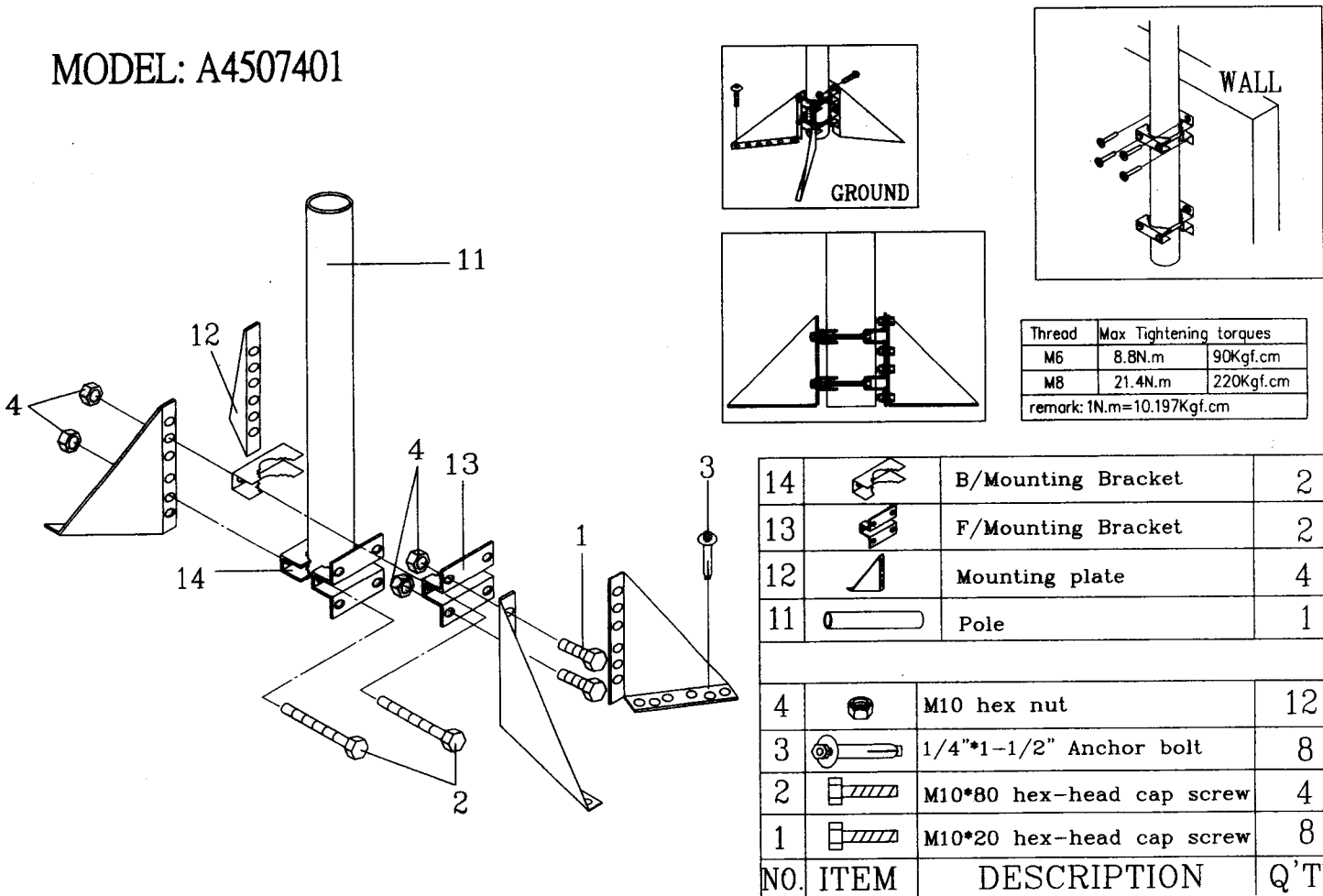


MODEL: S0901W12



| | | | |
|-----|------|---------------------------------|------|
| 28 | | LNB Arm | 1 |
| 27 | | Feedhorn (LNB) Supporting Rods | 2 |
| 26 | | 23mm LNB Clamp | 1 |
| 25 | | 40mm LNB Clamp Holder | 1 |
| 24 | | 40mm LNB Clamp | 1 |
| 23 | | B/Mast Bracket | 2 |
| 22 | | F/Mast Bracket | 1 |
| 21 | | Reflector Bracket | 1 |
| 20 | | Reflector | 1 |
| | | | |
| 11 | | fixing clamp | 1 |
| 10 | | M8 Washer | 2 |
| 9 | | M8 flange nut | 12 |
| 8 | | M8*W61 U Square bolt | 2 |
| 7 | | M8*20 round-head screw | 8 |
| 6 | | M6 flange nut | 6 |
| 5 | | M4 hex nut | 1 |
| 4 | | M4*20 Round-head cross screw | 1 |
| 3 | | cover | 2 |
| 2 | | M6*12 hex-head cap screw w/w/sw | 5 |
| 1 | | M6*35 hex-head cap screw w/w | 2 |
| NO. | ITEM | DESCRIPTION | Q'TY |

MODEL: A4507401



| Thread | Max Tightening torques | |
|--------|------------------------|-----------|
| M6 | 8.8N.m | 90Kgf.cm |
| M8 | 21.4N.m | 220Kgf.cm |

remark: 1N.m=10.197Kgf.cm

| | | | |
|-----|------|---------------------------|------|
| 14 | | B/Mounting Bracket | 2 |
| 13 | | F/Mounting Bracket | 2 |
| 12 | | Mounting plate | 4 |
| 11 | | Pole | 1 |
| | | | |
| 4 | | M10 hex nut | 12 |
| 3 | | 1/4*1-1/2" Anchor bolt | 8 |
| 2 | | M10*80 hex-head cap screw | 4 |
| 1 | | M10*20 hex-head cap screw | 8 |
| NO. | ITEM | DESCRIPTION | Q'TY |